

Smart Data Saver

PowerCom
YOUR POWER CONSULTANT

PowerCom

M
MOODY
INTERNATIONAL
UKAS
ISO 9001:2008



STS Static Transfer Switch 15-600A

Redundant System

Power is supplied by 2 separate supply circuits that are fully independent and that can be replaced during normal operation (hot replacement mode) without any risk of causing power supply interruptions to the load. In the unlikely event of a failure at one of both power supplies, the full operation is provided by the "Power Supply Backup" function, which offers auxiliary power supply to the circuits from an external, independent power source. The STS is equipped with redundant ventilation system.

Applications

Local Area Networks, Cash Registers, Tax, Telecom Postal, Radio and Television, Security Traffic, Electricity Medical, Industrial Control, National Defense, Petrochemical, Ports and other important economic data centre.

Working Principle

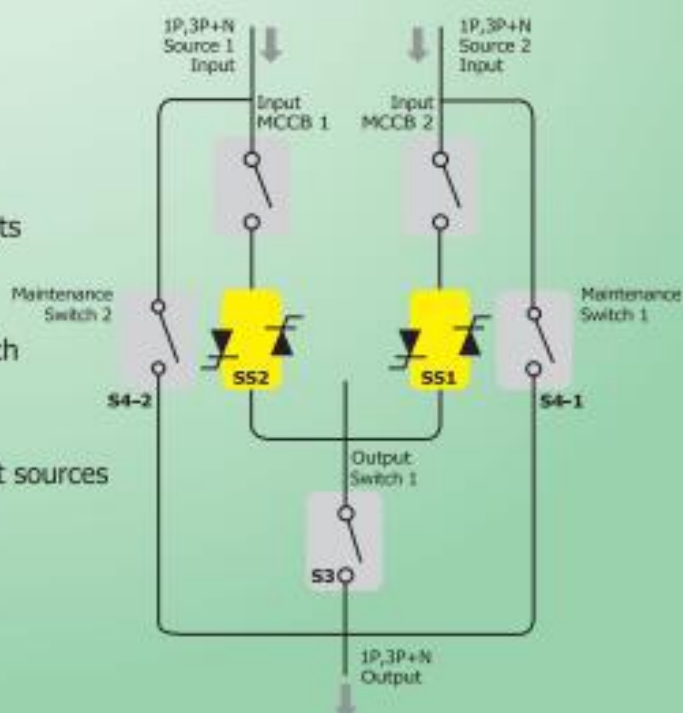
The Vision STS allows the load to switch between alternative and independent power sources for guaranteed redundant power. The Switch can be automatic (when a source falls outside the acceptable tolerance) or manually through the front panel control.

Specifications

- High reliability
- Hot swap function
- Automatic static switching
- Increase of the power quality
- Superior short circuit protection
- Protection against power supply faults
- Protection against overloads and load faults
- Redundant power mode
- Total control by microprocessor
- Advanced communication LCD display such as status, alarms, information...
- Power event logging
- Easy static and mechanical transfer to input sources

Options:

- RS485
- TCP/IP connection
- 2 serial ports
- 1 years warranty (electronics)



Main features

STS is with digital SCR. The connection and breaking speed is very fast, it doesn't have arc phenomenon.

The transfer time of STS is less than 4ms. STS has perfect protection function of overvoltage, undervoltage, power failure, overcurrent and phase difference, ect.

SCR of STS is no contact generated and without arc

phenomenon in starting and stopping, so that prolong the life of system.

System can be compatible with electricity and electricity, electricity and ups, ups and ups, stabilizer and ups System adopt synchronous control technology to ensure consistence in the switch and load equipments.

System can be set by users according to their needs

System is with LED and LCD display.

System has smart audible and visual alarm function

System with multi functional interface of RS232 & dry contact.

System has extremely strong adaptability of power, which can be compatible with same phase & different phases input at the same time. 19 inch rack mount type and tower type for customers choose.

Technical Data

STS	Model							
	STS50	STS100	STS150	STS200	STS250	STS300	STS400	STS600
Nominal current	50A	100A	150A	200A	250A	300A	400A	600A
— Input								
Nominal voltage	380-400-415VAC 3phase + N							
Voltage tolerance	180-264 VAC selectable							
Switched input phases	3+N (4pole)- 3 (3pole)							
Frequency	50/60Hz							
Frequency range	+/-10% selectable							
Compatibility	TT, IT, TNC, TNS							
— Electrical								
Transfer type	"break before make"							
Available transfer methods	Automatic / manual / remote							
Transfer time	<4ms (S1/S2 synchronised) and 10ms (S1/S2 non-synchronised)							
— Environment								
Efficiency at full load	>99%							
Noise	55dBA	55dBA	55dBA	55dBA	55dBA	55dBA	55dBA	57dBA
Storage temperature	-10°C up to +10°C							
Operating temperature	0°C - 40°C							
Humidity	95% non-condensing							
Altitude	Max 4000m							
Standards	EN62310-1 & EN62310-2							
— Physical								
IP	IP20							

Note: 1 Product specifications are subject to change without further notice.

2 STS 15-30 (single phase) is being configured & followed by standered compliance.

Power Control & Management

BASIC Electronics Complex, Level-8
 1/1 Industrial, Plot, Main Road-03
 Avenue - 04, Section - 07, Mirpur
 Dhaka-1216, Bangladesh.



Since-2004

Tel : +88-02-9014710, 8035077
 Fax : +88-02-9035838
 E-mail: info@powercom.com.bd
 Web : www.powercom.com.bd